

Machinability will supply the right equipment for all your snow plowing requirements.

Agricultural Tractors • Loaders • Heavy Duty Trucks

Model	8"	10"	12"	14"	12"	14"	16"
Plow width	96"	120"	120"	168"	144"	168"	192"
Overall height [inch]	37"	37"	37"	37"	48"	48"	48"
Rubber Cutting Edge Size	1"x6"	1"x6"	1"x6"	1"x6"	1.5"x10"	1.5"x10"	1.5"x10"
Cutting edge vertical angle (deg)	30	30	30	30	30	30	30
Approx. weight (lb)	1200	1350	1450	1550	2160	2300	2440

All specifications are approximate. Machinability reserves the right to make changes in specifications and/or improvements at any time without obligation or notice.

View our full product line at www.machinability.com:



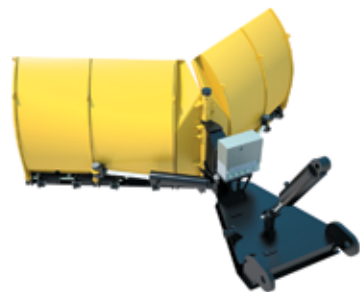
V-Plow
Series V-48



Power Sidewing Plow
Series SW-48



Trip Moldboard Plow
Series STM-35/STM-28



V-Plow
Series V-35



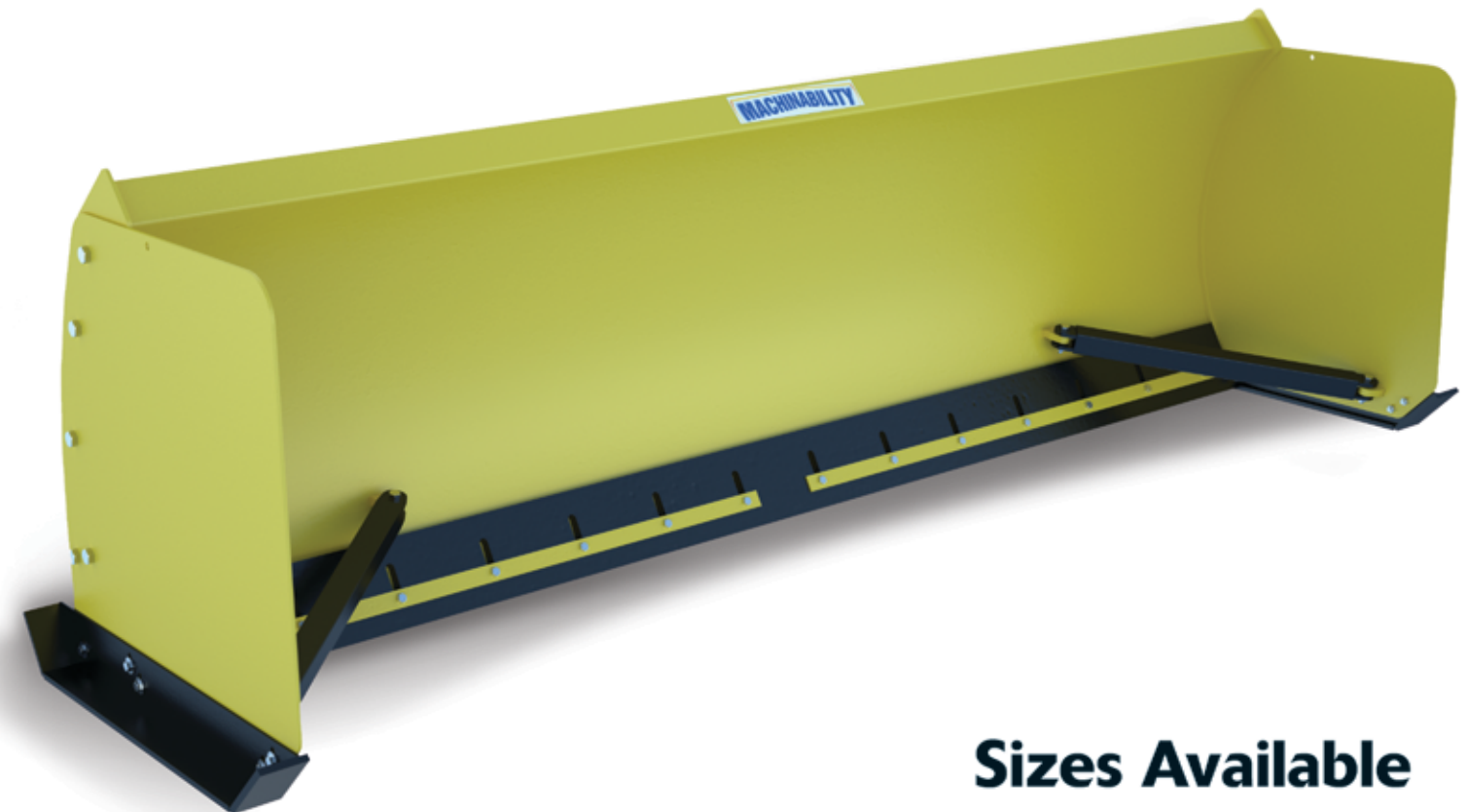
QUALITY DOESN'T COST. IT PAYS.

1515 Rebecca Street, P.O. Box 60011
Oakville, Ontario CANADA L6L 6R4
www.machinability.com • 1-877-321-2282



BOX PLOW

QUALITY DOESN'T COST. IT PAYS.



Sizes Available

Height 37" 37" 37" 37" 48" 48" 48"
Width 8' 10' 12' 14' 12' 14' 16'

MACHINABILITY

BOX PLOW

Indispensible Features

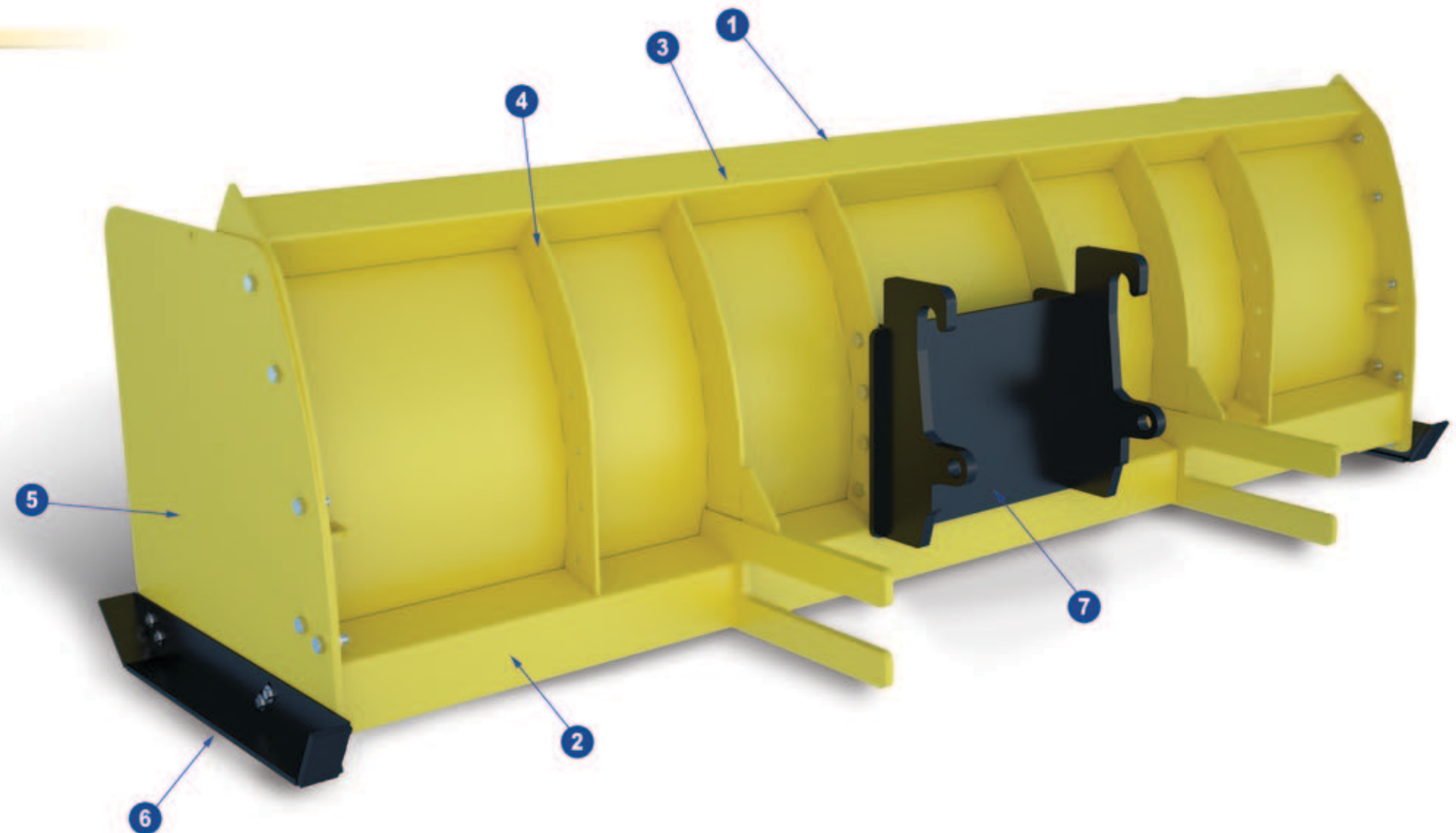
You'll appreciate Machinability's Box Plow with cutting-edge technology offering faster, safer snow removal. This affordable plow will exceed all of your expectations.

Cutting-Edge Design

By combining unsurpassed strength and weight saving construction, our box plows are second-to-none. The aggressive 30 degree cutting-edge angle cuts hard packed snow with no down pressure and the 37" and 48" moldboard rolls snow easily-outplowing the competition.

- 1 Moldboard curvature and design eliminate snow/ice build-up while providing exceptional snow casting with less Horse Power and better fuel efficiency!
- 2 Our custom engineered lower channel provides three times the strength of structural steel.
- 3 The upper 5" x 5" formed box section makes your plow "Machinability" strong.
- 4 Support ribs provide extra strength and lightweight construction. Lifting holes allow for safe, easy handling

- 5 Replaceable side plates and side plate braces ensure that your plow will be working for you for years.
- 6 Adjustable and replaceable shoes for the side plates also keep you plowing for years without having to weld on new edges.
- 7 Our 48" box plows have optional bolt on Quick Attach systems for all machines (JRB, CAT IT, Volvo, JCB, Buckets, Skid Steers...). With any of the 37" tall box plows, you have the option to bolt in bucket mount forks or a skid steer mount, giving you flexibility to change machines down the road.



Sizes Available

Height	37"	37"	37"	37"	48"	48"	48"
Width	8'	10'	12'	14'	12'	14'	16'