

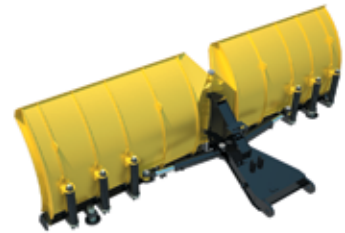
Machinability will supply the right equipment for all your snow plowing requirements.

Agricultural Tractors • Loaders • Heavy Duty Trucks

Model	10G48	8G48
Plow width	11 ft	9 ft
Overall height [inch]	48	48
Retracted Plow - Straight width [inch]	132	108
Extended Plow - Straight width [inch]	188	150
Plow Angle Range (degree)	60	60
Cutting edge vertical angle (degree)	30	30
Cylinder bore (inch)	3	3
Trip Springs	4	4
Approx. weight with A-Frame (lb)	4500	4000
Swivel plate angle (degree)	14	14
Cutting edge vertical drop/raise at outer edge	17	15

All specifications are approximate. Machinability reserves the right to make changes in specifications and/or improvements at any time without obligation or notice.

View our full product line at www.machinability.com:



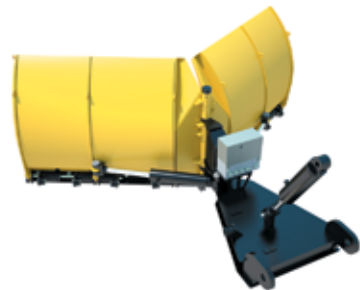
V-Plow
Series V-48



Power Sidewing Plow
Series SW-48



Trip Moldboard Plow
Series STM-35/STM-28



V-Plow
Series V-35



QUALITY DOESN'T COST. IT PAYS.

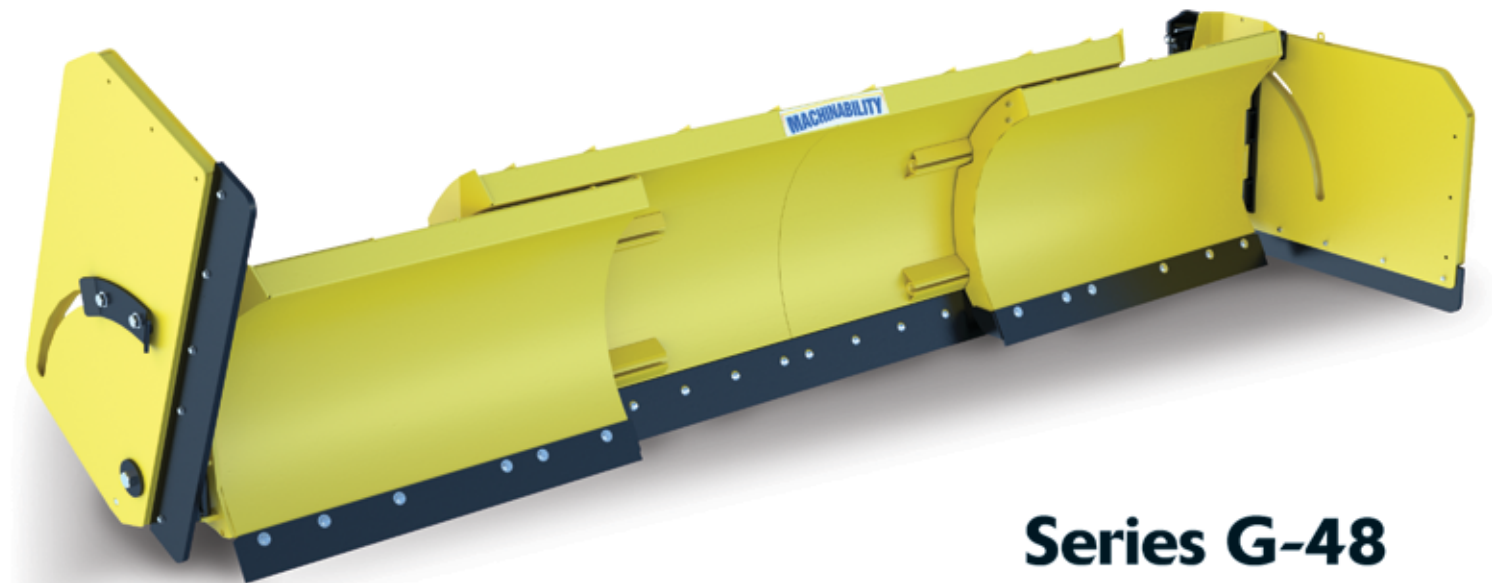
1515 Rebecca Street, P.O. Box 60011
Oakville, Ontario CANADA L6L 6R4
www.machinability.com • 1-877-321-2282



POWER EXTENDA PLOW

with Double Tripping Edges

QUALITY DOESN'T COST. IT PAYS.



Series G-48

closed	open
8'	14'
10'	17'

MACHINABILITY

POWER EXTENDA PLOW

with Double Tripping Edges

Indispensible Features

You'll appreciate Machinability's Extenda Plow with cutting-edge technology offering faster, safer snow removal. Our electronic Touch Button Controls provide infinite variable movement of the plow sections. Our innovative front mount design ensures level plowing at all times.

Think of the possibilities when you are in an open parking lot, and you can extend your plow wider, but also have the versatility to retract the width of your plow for narrow areas at the push of a button.

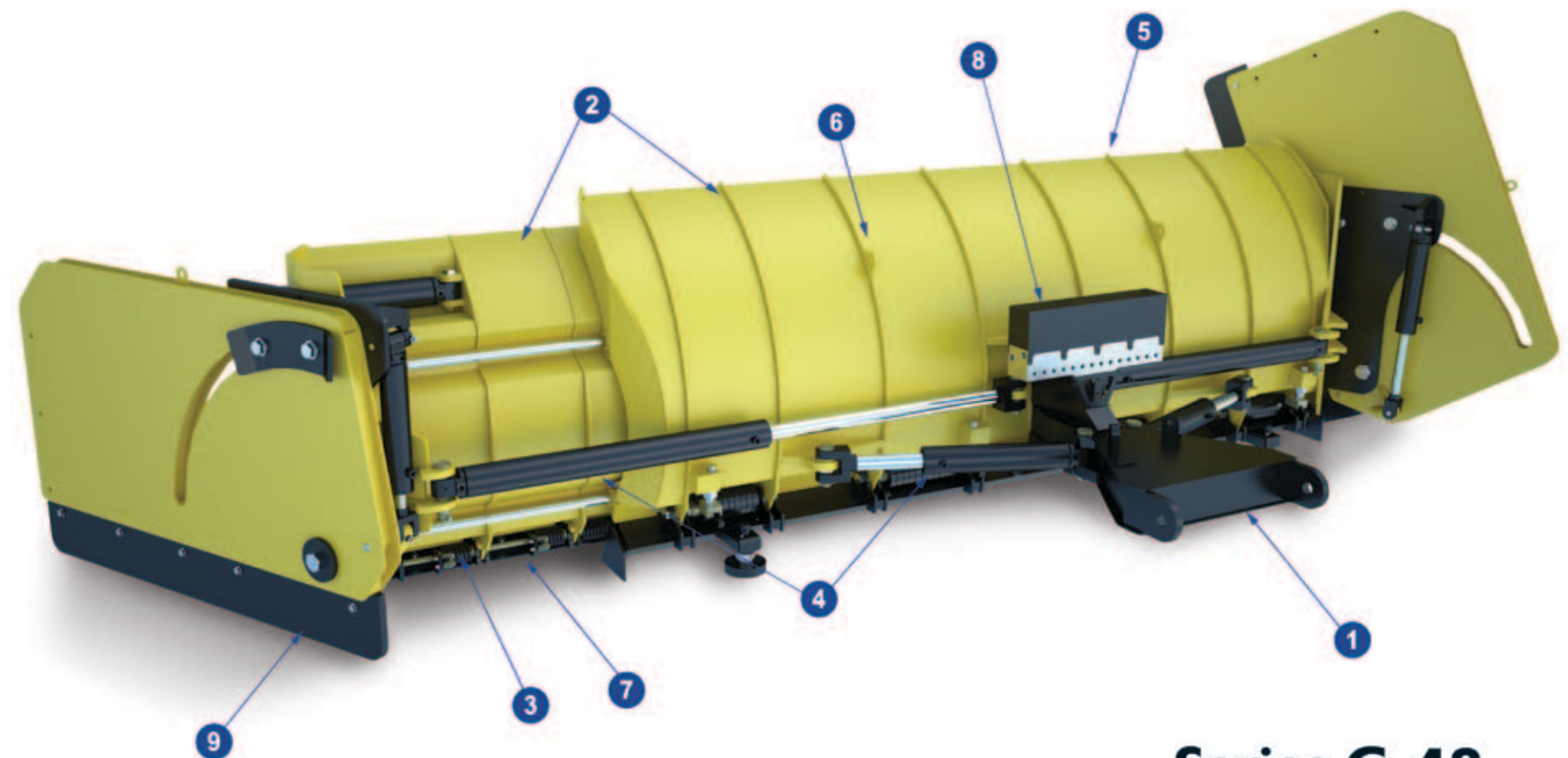
With guillotine acting side wings, you can halt the flow of snow off the end of the plow when windrowing to avoid filling up driveways and entrance ways. The side wings also angle 30 degrees in and out, so you can keep the wings always facing forward, even when the plow is angled.

Cutting-Edge Design

By combining unsurpassed strength and weight saving construction, our multi-positional, hydraulic-powered plows are second-to-none. The aggressive 30 degree cutting-edge angle cuts hard packed snow with no down pressure and the 48" moldboard rolls snow easily-outplowing the competition.

Our leading-edge hydraulic valve and joy stick control are designed with all settings built in for maximum system efficiency including impact relief protection. Completely operational at the mere touch of a button.

- 1 Versatile, heavily reinforced, fully boxed A-Frame specifically designed for your equipment.
- 2 Heavy-duty, lightweight, double-walled moldboards with continuous welds inside and out.
- 3 All locking pins are hardened and fully greaseable.
- 4 Large hydraulic cylinders have forged clevis and 2" shafts with double plating. All components are fully serviceable for extended service.
- 5 Moldboard curvature and design eliminate snow/ice build-up while providing exceptional snow casting with less Horse Power and better fuel efficiency!
- 6 Support ribs provide extra strength and lightweight construction. Lifting lugs allow for safe, easy handling.
- 7 Four fully serviceable trip edges with torsion springs.
- 8 A single pressure line operates the hydraulic valve and 14-function electronic joy stick control providing impact protection, free float, and complete plow operation.
- 9 Independent, fully boxed side wings are completely operational in any of the 60 degree positions.



Series G-48

closed	open
8'	14'
10'	17'