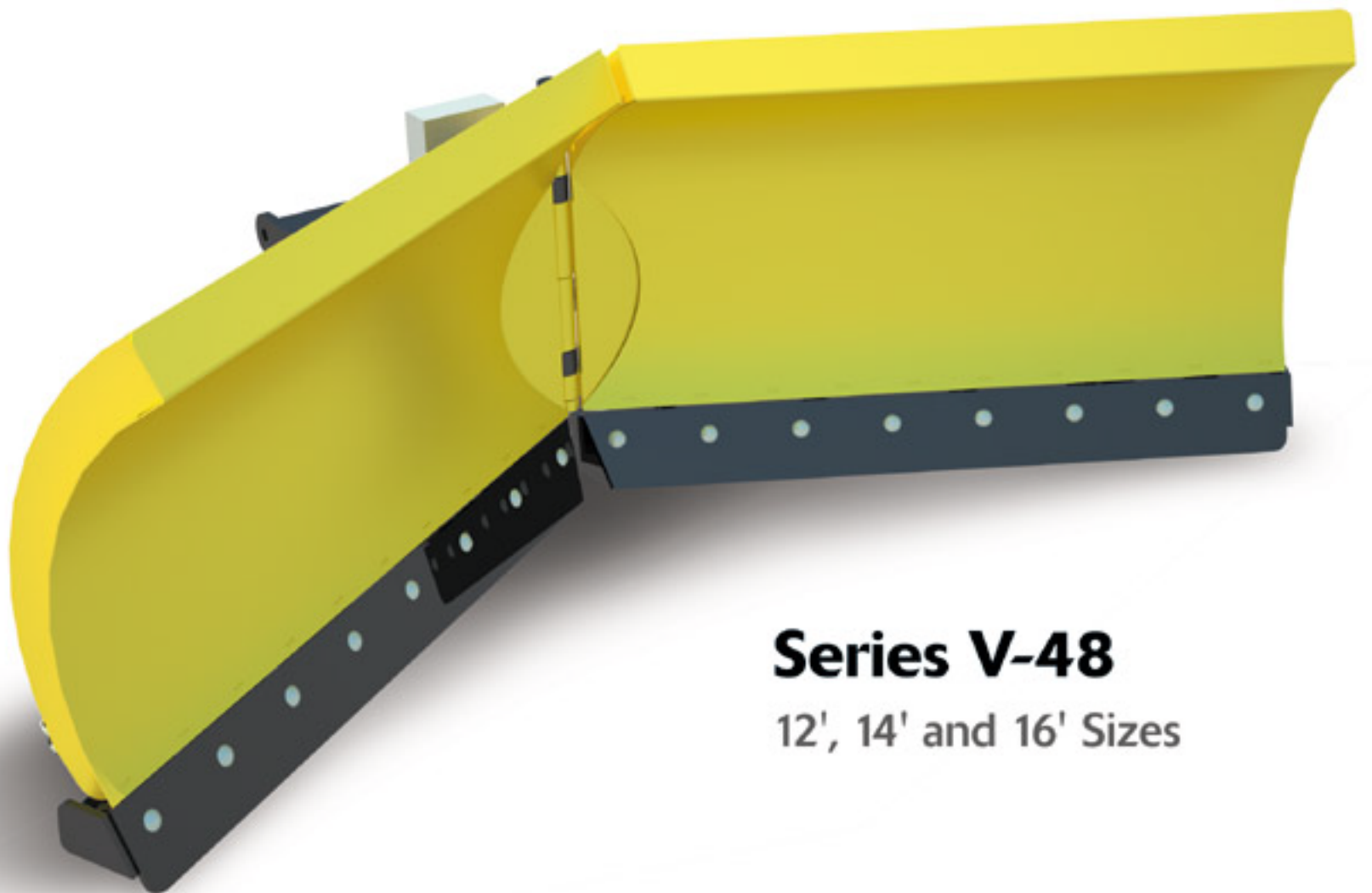


MACHINABILITY

POWER V-PLOW with Tripping Edges

QUALITY DOESN'T COST. IT PAYS.



Series V-48

12', 14' and 16' Sizes

MACHINABILITY

POWER V-PLOW

with Tripping Edges

Indispensible Features

You'll appreciate Machinability's Power V-Plow with cutting-edge technology offering faster, safer snow removal. Our electronic Touch Button Controls provide infinite variable movement of the plow sections. Our innovative front mount design ensures level plowing at all times.

Cutting-Edge Design

By combining unsurpassed strength and weight saving construction, our multi-positional, hydraulic-powered plows are second-to-none. The aggressive 30 degree cutting-edge angle cuts hard packed snow with no down pressure and the 48" moldboard rolls snow easily—outplowing the competition.

Our leading-edge hydraulic valve and joy stick control are designed with all settings built in for maximum system efficiency including impact relief protection. Completely operational at the mere touch of a button.

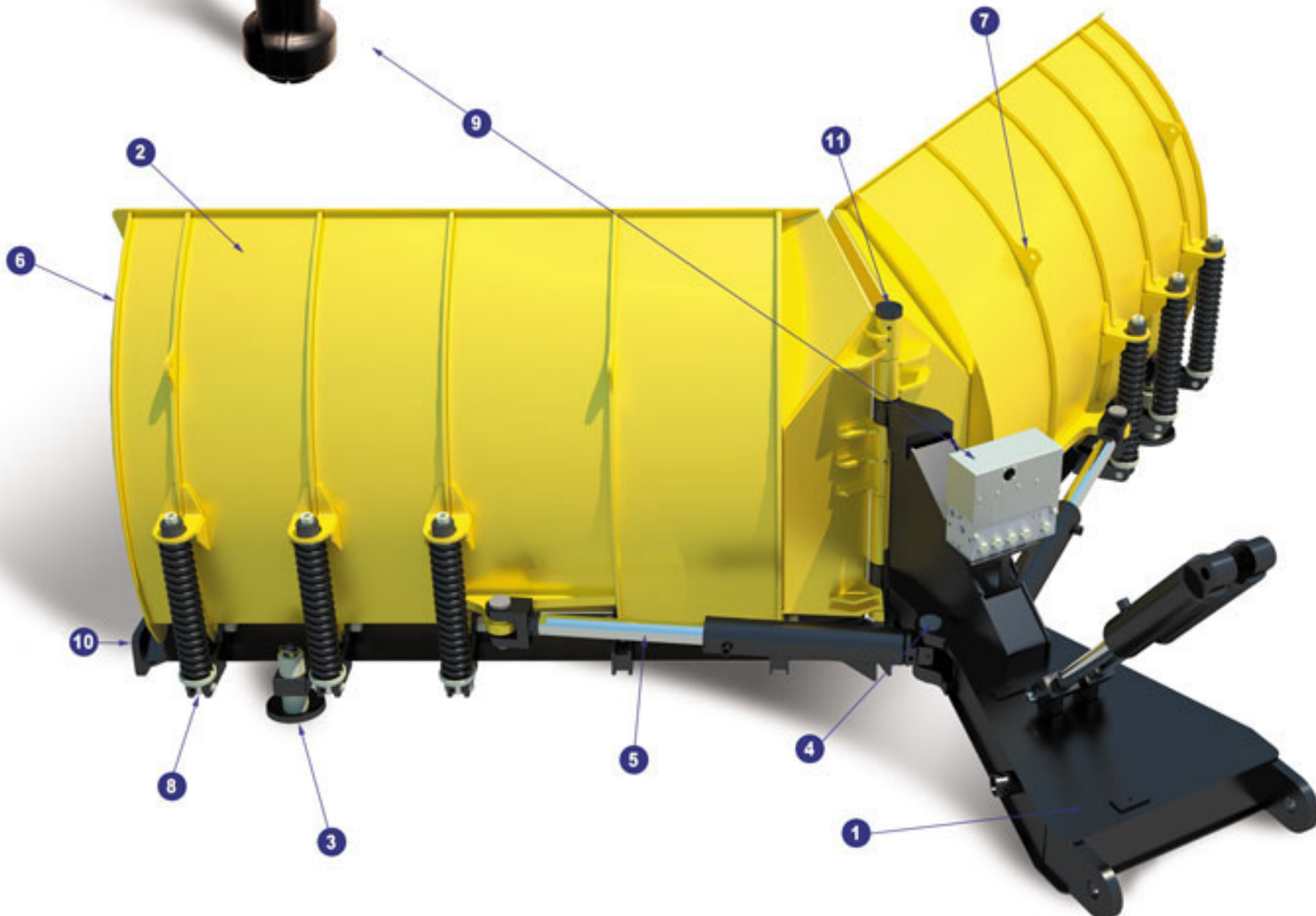
- 1 Versatile, reinforced, lightweight, fully boxed A-Frame specifically designed for your equipment.
- 2 Heavy-duty, lightweight, double-walled moldboard with continuous welds inside and out.
- 3 Heavy duty wear shoes with optional high wear carbide.
- 4 All locking pins are hardened and fully greasable.
- 5 Large hydraulic cylinders have forged clevis and 2" shafts with double plating. All components are fully serviceable for extended service.
- 6 Moldboard curvature and design eliminate snow/ice build-up while providing exceptional snow casting with less Horse Power and better fuel efficiency!
- 7 Support ribs provide extra strength and lightweight construction. Lifting lugs allow for safe, easy handling.
- 8 Fully serviceable trip edge with compression springs.
- 9 A single pressure line operates the hydraulic valve and 10-function electronic joystick control providing impact protection, free float and complete plow operation.
- 10 Wear resistant curb guides are attached to the corners of the plow's cutting edges.
- 11 The hydraulic independent V-Plow sections are completely operational, moving a full 60 degrees of travel and come with trip-edge spring design, providing for smooth operation and maintenance.



View online demo at
www.machinability.com

Series V-48

12', 14' and 16' Sizes



Machinability will supply the right equipment for all your snow plowing requirements.

Agricultural Tractors • Loaders • Heavy Duty Trucks

PLOW MODEL	16V48	14V48	12V48
Plow width	16 ft	14 ft	12 ft
Overall height [inch]	48	48	48
Width - Straight [inch]	195	171	147
Width - V forward [inch]	165	144	124
Width - V back [inch]	172	151	131
Width - Angled [inch]	169	148	128
Cutting edge vertical angle	30°	30°	30°
Cylinder bore [inch]	3	3	3
Trip springs	8	6	6
Forward V-angle [degree]	30°	30°	30°
Back V-angle [degree]	30°	30°	30°
Approx. Weight [lb.]	2330	2100	1870
Swivel plate angle [degree]	14°	14°	14°
Cutting edge vertical drop/raise at outer edge	24"	21"	18"

All specifications are approximate. Machinability reserves the right to make changes in specifications and/or improvements at any time without obligation or notice.

View our full product line at www.machinability.com:



Power Sidewing Plow
Series SW-48



V-Plow
Series V-35



Trip Moldboard
Series STM-28/STM-35

MACHINABILITY

QUALITY DOESN'T COST. IT PAYS.

1515 Rebecca Street, P.O. Box 60011
Oakville, Ontario CANADA L6L 6R4
www.machinability.com • 1-877-321-2282