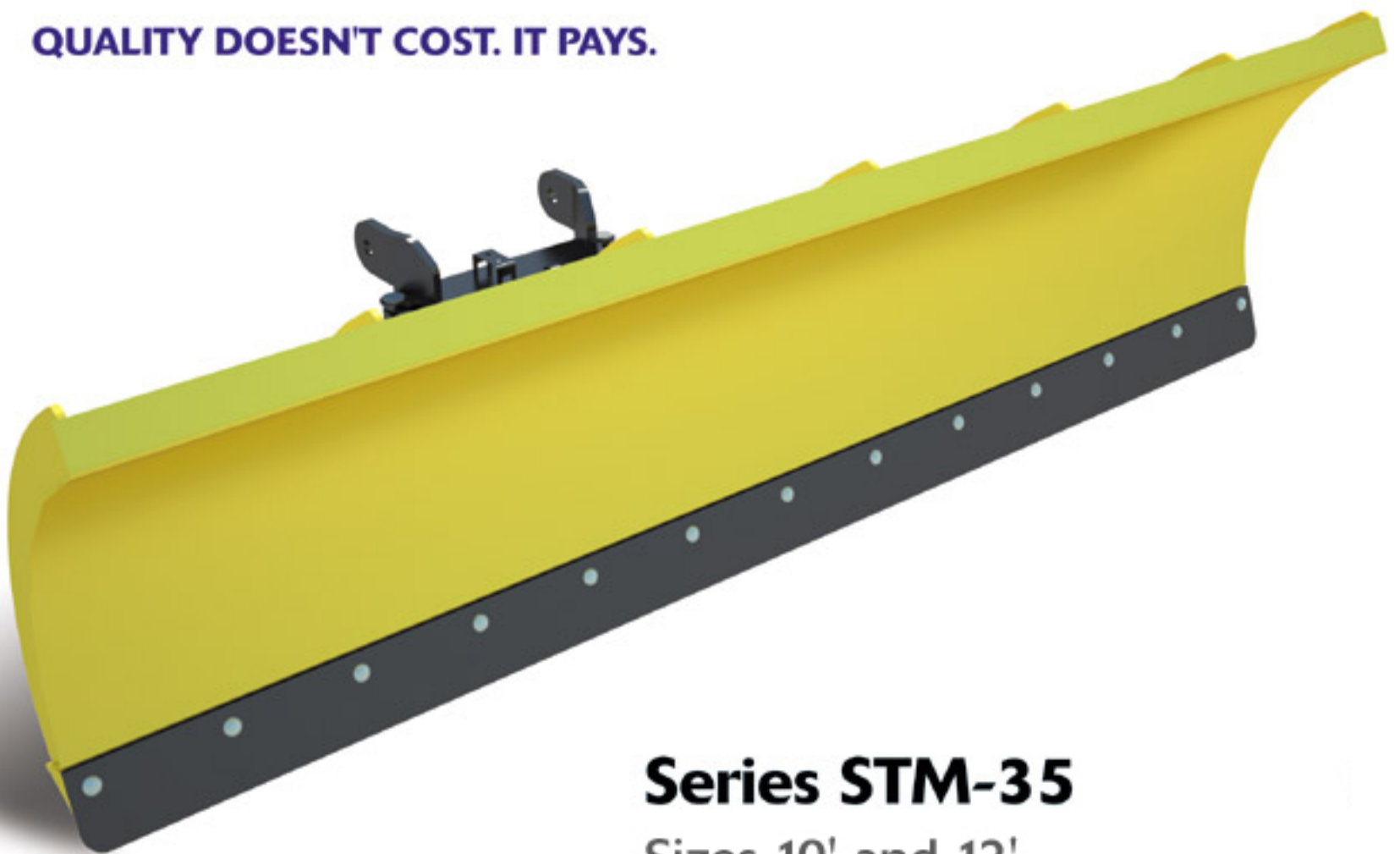


# MACHINABILITY

## **Straight Plow**

with Trip Moldboard

QUALITY DOESN'T COST. IT PAYS.



**Series STM-35**

Sizes 10' and 12'

# MACHINABILITY

## **STRAIGHT PLOW**

with Trip Moldboard

---

### **Indispensible Features**

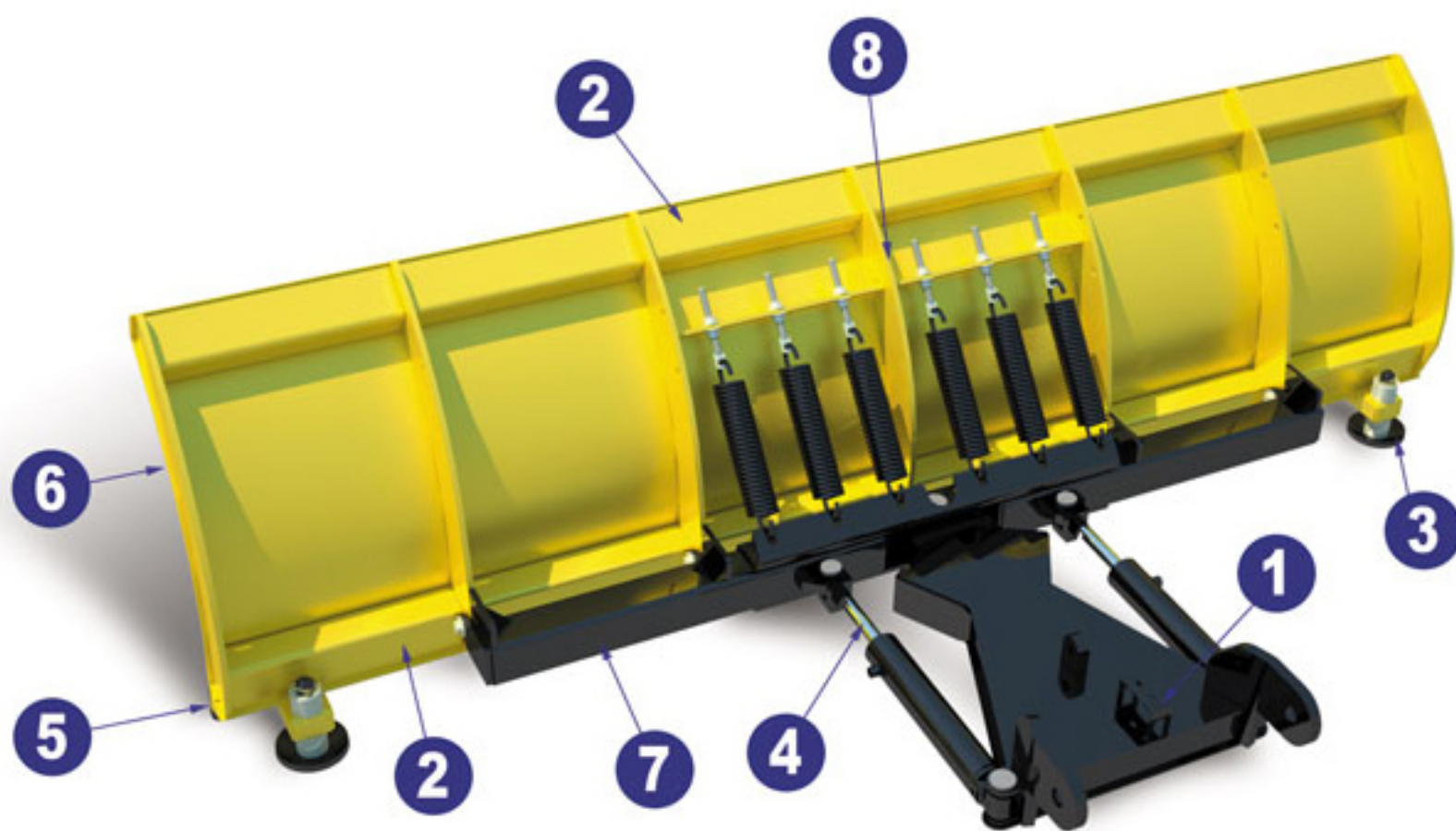
For those tough jobs that demand strength and performance, you'll appreciate Machinability's Straight Plow with cutting-edge technology offering faster, safer snow removal. Our innovative front-mount design ensures level plowing at all times.

### **Cutting-Edge Design**

By combining unsurpassed strength and weight saving construction, our multi-positional, hydraulic-powered plows are second-to-none. The aggressive cutting-edge angle cuts hard packed snow with no down pressure and the moldboard rolls snow easily—outplowing the competition.

Our leading-edge hydraulic systems are designed with all settings built in for maximum system efficiency including impact relief protection.

- 1 Versatile, reinforced, lightweight, fully boxed A-frame specifically designed for your equipment.
- 2 Increased strength but light weight. Double-walled upper and lower moldboard sections with continuous welds inside and out.
- 3 Heavy duty wear shoes with optional high wear carbide.
- 4 Large hydraulic cylinders have forged clevis and 1½" shafts with double plating. All components are fully serviceable for extended service.
- 5 Aggressive cutting edge angle cuts hard packed snow with no down pressure.
- 6 Moldboard curvature and design eliminate snow/ice build-up while providing exceptional snow casting with less Horse Power and better fuel efficiency!
- 7 The support beam gives additional support to A-frame, cylinders and moldboard.
- 8 Support ribs provide extra strength and lightweight construction.



## Series STM-35

Sizes 10' and 12'



# Machinability will supply the right equipment for all your snow plowing requirements.

Agricultural Tractors • Loaders • Sidewalk Equipment • Skid Steers

Plow Model	10STM-35	12STM-35
<b>PLOW WIDTH</b>	<b>10ft</b>	<b>12ft</b>
Overall height [inch]	35"	35"
Base plow - straight width [inch]	120	144
Plow angle range [degree]	60°	60°
Base plow - angled width [inch]	104	125
Trip springs	6	6
Approx weight with A-Frame [lb.]	1160	1275

All specifications are approximate. Machinability reserves the right to make changes in specifications and/or improvements at any time without obligation or notice.

View our full product line at [www.machinability.com](http://www.machinability.com):



**V-Plow**  
Series V-48



**V-Plow**  
Series V-35



**Power Sidewing Plow**  
Series SW-48

# MACHINABILITY

**QUALITY DOESN'T COST. IT PAYS.**

1515 Rebecca Street, P.O. Box 60011  
Oakville, Ontario CANADA L6L 6R4  
[www.machinability.com](http://www.machinability.com) • 1-877-321-2282